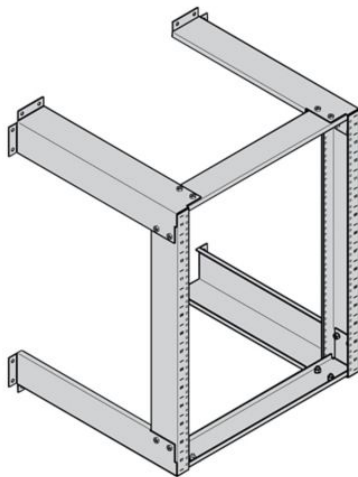


# Eaton SB704193930AL

Catalog Number: SB704193930AL

Eaton B-Line series open frame racks, Aluminum uprights and steel extension brackets, Aluminum - brushed finish, #12-24 panel mounting holes, Wall-mounted network equipment rack. Heavy duty, 19" Panel mount

## General specifications



Product Name	Catalog Number
Eaton B-Line series open frame racks	SB704193930AL
UPC	Product Length/Depth
799038233466	30 in
Product Height	Product Width
39.5 in	20.5 in
Product Weight	Certifications
16.2 lb	Not Applicable

## Product specifications

### Model

Wall-mounted network equipment rack. Heavy duty, 19" Panel mount

### Material

Aluminum & steel

### Finish

Brushed aluminum

## Resources

### Brochures

[RCM and RCM+ brochure](#)

### Specifications and datasheets

[Eaton Specification Sheet - SB704193930AL](#)



Eaton Corporation plc  
Eaton House  
30 Pembroke Road  
Dublin 4, Ireland  
Eaton.com

© 2023 Eaton. All Rights Reserved.

Eaton is a registered trademark.

All other trademarks are property of their respective owners.



[Eaton.com/socialmedia](https://www.eaton.com/socialmedia)